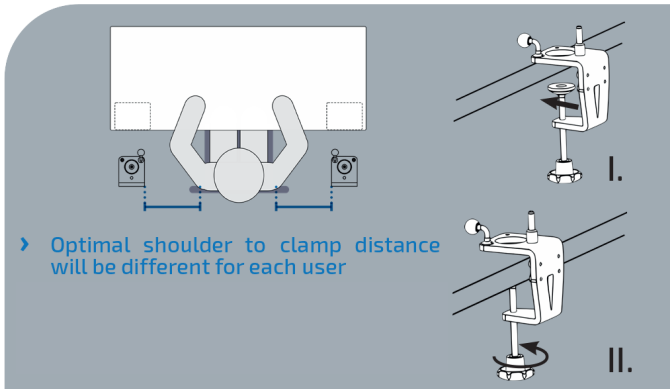


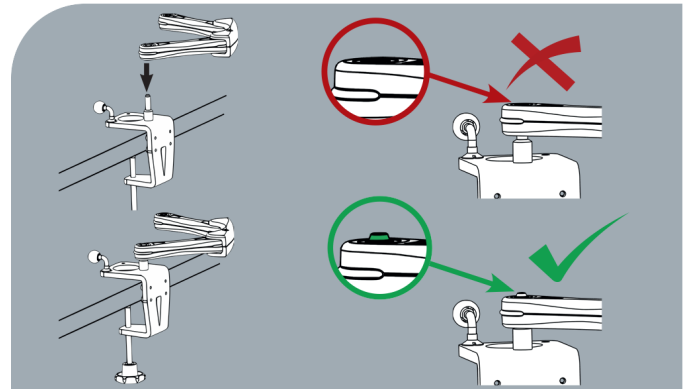
QUICK INSTALLATION GUIDE

Kinova® 0110
Dynamic Arm Support

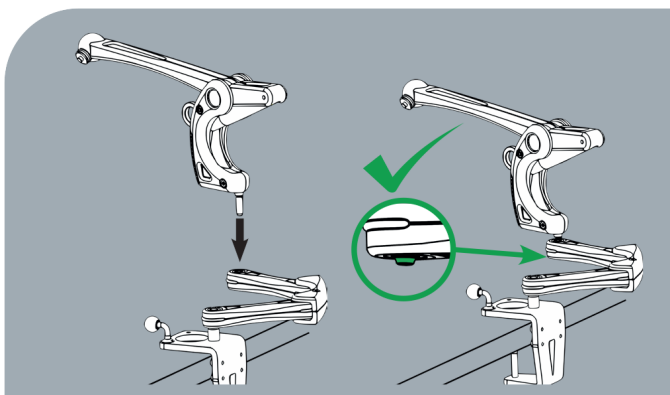
1 Positioning the Table Clamp



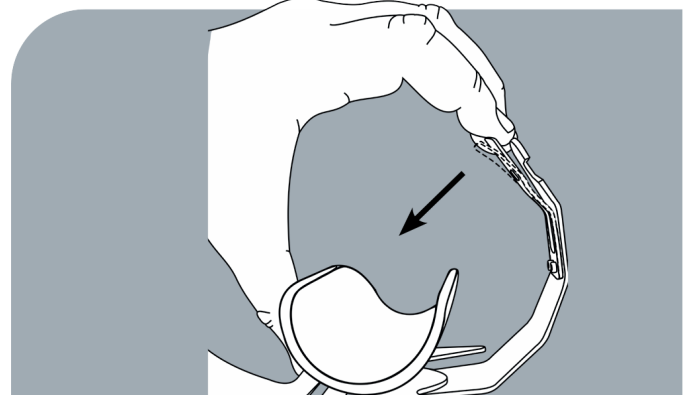
2 Installing the Links



3 Installing the Base



4 Moving Brace Spring



5 Installing the Brace

